

HVBD SERIES

High Voltage Battery Disconnect

PRELIMINARY



APPLICATIONS



FEATURES

HVBD is the next level in battery disconnect technology

- Robust metal-ceramic seal
- Industry leading dielectric withstand voltage
- High temperature performance
- Low contact resistance over life
- Ready for harsh environments
- Lock-out / tag-out ready for OSHA compliance
- Drop-in replacement for GIGAVAC¹ HBD Series battery disconnect switches
- Optional integrated auxiliary contacts
- Patent pending

PERFORMANCE

TABLE 1. SPECIFICATIONS	
CHARACTERISTIC	MEASURE
Contact Arrangement	Form X, SPST
Operating Voltage ²	1,000VDC
Dielectric Withstand Voltage	5,000VDC, 1 minute
Continuous Current (107mm ² conductor)	400A, continuous
Overload Current	2,000A, 1 minute
Make and Break (400A @ 24VDC)	5,000 cycles
Voltage Drop (Max at nominal load)	50mV
Min Insulation Resistance	100Mohm
Shock	25G/5ms, 40G/6ms
Vibration (Sinusoidal 18-500Hz Peak)	20G
Operating Temperature ³	-55°C to 85°C
Ingress Protection	Exceeds IP69
Weight	400g
Case Material	PA GF Black
Switch Lever Material	PA GF Red
Mounting	100mm C:C, 2X M8
Mounting Position	Any
Auxiliary Contact – Continuous Current	100mA
Auxiliary Contact Arrangement	SPDT

¹ Gigavac is a registered trademark of GIGAVAC, LLC.

² Contact Rincon Power for make/break switching above 100V.

³ 175°C max terminal temperature.

HVBD SERIES

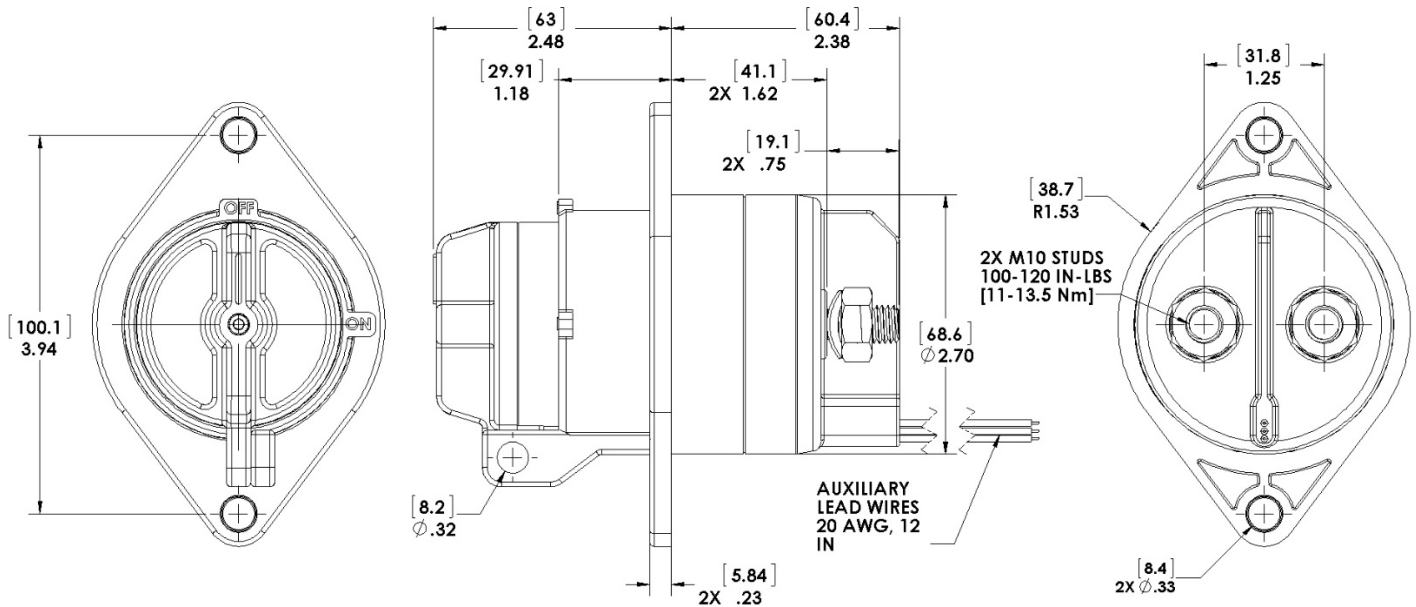
High Voltage Battery Disconnect

PRELIMINARY

OPTIONS

TABLE 2. PRODUCT NOMENCLATURE				
	CURRENT RATING	MOUNTING	AUXILIARY CONTACTS	HANDLE COLOR
HVBD	4 400 Amp	A 100 mm C:C	A Included	R Red
	3 300 Amp		X None	

PACKAGE DIMENSIONS IN. [mm]



NOTES

- Contact Rincon Power for optional mounting gasket.